

witt

CLASSIC TABLE BLENDER



WCB1200B / WCB1200S

User guide: 2-12

OVERVIEW OF THE DEVICE	3
IMPORTANT SAFETY INSTRUCTIONS.....	4
HOW YOUR WITT BLENDER WORKS.....	7
CLEANING AND MAINTENANCE.....	10
OVERVIEW	11
WARRANTY.....	12
SERVICE.....	12

OVERVIEW OF THE DEVICE



1. Measuring cup
2. Lid
3. Blender jar (glass)
4. Blade system
5. Connection joint
6. Base
7. Speed control button
8. ON/OFF - PULSE

IMPORTANT SAFETY INSTRUCTIONS



In order to avoid fires, electric shocks and/or damage or injury, you must always follow these safety instructions carefully when using an electric device.

Read all of the instructions carefully, even if you are already familiar with the device.

- In order to avoid electric shocks, the power cord, plug and motor unit must never be lowered in water or other fluids.
- Please read the instructions before you start using the device. This is for your own protection, and it also helps you to avoid damaging the device.
- Save these instructions so that you can find answers if you have questions later.
- If the device is given or sold to someone else, please ensure that you also pass along the instructions to the new owner.
- Before the device is used, remove all packaging and examine the device for damage. If the device is damaged or if you are not sure whether it might be, please contact the store that you bought it from. You **SHOULD NOT** begin using the device if it is damaged.
- Damage must immediately be reported to the store where you bought the device.
- The device is not intended to be used for young children or physically weak individuals unless monitored by a responsible person that ensures that the device is used safely.
- Children must be supervised to ensure that they do not play with the device.
- Turn off the socket and remove the plug before cleaning and when the device is not in use.
- Do not pull hard on the power cord - grab the plug instead and pull it out of the socket. Never lift the device using the power cord.
- Do not use the device if the power cord or plug are broken, if the device is dropped, if there is a technical malfunction or if the device is damaged in any way.
- Ensure that the power cord is not hanging out from the edge of the table or touching hot surfaces.
- Never use or place the device on or near hot surfaces (should gas a warm gas stove, a cooking plate or a hot oven).
- Never use the device for anything other than the purpose it is intended for. The device is only for household use.
- The device is only designed to be connected to a standard power socket.
- Do not attempt to repair, modify or make any other change to the device.

- The device is not for use outdoors.
- Place the device on a stable and dry surface. Avoid placing it on sinks, drain trays or uneven surfaces.
- If you use unoriginal parts or accessories, this may result in fires, electric shocks or damage to the device.
- Never place tools in the device when it is in use.
- Let the device cool down before cleaning it.
- Do not use an extension cord.
- Store the device indoors in a dry space.
- Do not use the device under or near flammable materials such as curtains or anything else that can catch fire.
- Do not touch moving or rotating parts when the device is in use.
- Do not use the device when it is empty.
- Be careful when removing food from the container or when removing the blades to clean the device. The blades are sharp!
- Never let the device run unsupervised.
- Ensure that the blades are securely attached before using the device.
- Ensure that all parts are installed correctly.
- Do not remove accessories from the motor unit when the device is in use.
- Do not exceed the recommended amounts or times specified in these instructions.
- Remove the plug from the socket immediately after you are done using the device.
- Be extremely careful when moving a device containing hot fluids.
- Do not move the blender until the device is turned off.
- Never let the motor run for more than 60 seconds at a time.
- Never pour hot fluids in the blender container before blending. Start by using ingredients that are cold or at room temperature. Hot ingredients can pressurise a sealed blender container and potentially make the contents 'explode' when you open it - and this can result in damage to the device or people standing nearby.
- The blender is not designed to be used in a microwave. Do not put the motor unit, other parts or accessories in a microwave, as this can damage the device.
- The device may be used by children above the age of eight if they are taught how to use the device properly and if at first they are supervised by someone who is responsible for their safety. Keep an eye on children to ensure that they do not play with the device. Children over the age of eight may clean or maintain the device, but only if they are being supervised. Keep the device and the power cord away from children under the age of eight.
- Do not place the device on or near a gas stove, ceramic cooking plates, electric heaters or anywhere that the device may come into contact with a hot oven or microwave.

WARNING

If the power cord is damaged, it must be replaced by the manufacturer, a service centre or a qualified professional in order to avoid dangerous situations.

This device is only intended to be used in the manner described in the instructions. Do not move the motor unit when the device is in use.

Be careful - THE BLADES ARE SHARP, HANDLE THEM CAREFULLY.

Avoid touching moving parts. Keep your hands, palette knives and other tools away from the blender when it is in use in order to prevent damage to the device or personal injuries.

Warning - potential injury:

Remove the plug from the socket and make sure that the blades are completely still before moving or touching them. Otherwise, the device may be damaged or someone may get injured.

HOW YOUR WITT BLENDER WORKS

Before using it for the first time, clean all parts of the device.

Please note:

- When you connect the blender to a power source, the speed control button will begin blinking red. The speed control button will turn blue when you either dial in a programme and press the start/stop button or when you dial in a certain speed setting. The speed control button allows you to choose between different speeds, from the minimum speed to the maximum speed.

The speed control button has three functions that you can choose:

- Crush ice



- Smoothie



- Cleaning



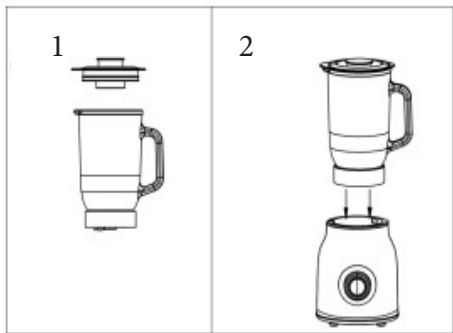
When blending, you can turn the speed control button up or down and then press ON/OFF as you like.

- The glass blender jar has a capacity of 1.5 litres.


You can chop and blend with the speed control button.


With the blender jar:

- Add your ingredients to the blender jar and attach the lid (figure 1). Attach the blender jar to the base (figure 2).
- Connect the blender to a power source, dial the speed control button and set it to the desired speed.
- Once you are done blending, turn the speed control button back to the OFF position, turn off the power and wait until the blades are completely still.
- Remove the blender jar and take off the lid. You can now pour out the contents of the blender jar.



Chop and blend with ON/OFF - PULSE

- Crush ice 

When using this function, turn the dial clockwise to  Then press the button.

Press the button again once the ingredients have been properly blended.

- Smoothie 

When using this function, turn the dial clockwise to



Then press the button, and the device will begin running its blender programme.



CAUTION: Never let the blender run for more than 1 minute at a time. Let the motor rest for two minutes each time after using it. If these directions are not followed, it may result in permanent damage to the engine or even a personal injury. If the engine is not working, remove the power cord from the motor unit and let the device rest for a few hours before using it again.



CAUTION: Do not operate the blender without first adding the ingredients to the container jar.



CAUTION: Do not add hot ingredients to the blender jar.



CAUTION: Make sure that all ingredients have been properly blended before serving them or eating the food.

GENERAL TIPS FOR GETTING THE OPTIMAL RESULT: Ensure that the amount of ingredients fully cover the blade unit before blending hard ingredients.

CLEANING AND MAINTENANCE

- Remove the plug from the socket before cleaning the blender.
- Wait until the device is completely cooled before cleaning it.
- Clean the motor unit (the base) with a damp rag.
- Never lower the motor unit into water and do not clean using running water.

Technical specifications

Voltage: 220-240 V - 50/60 Hz, 1200 W

Class II



The symbol means that the product should not be thrown out together with regular household waste. Instead, it should be disposed of at an authorised recycling station which is suitable for this purpose or returned to a retailer that offers disposal services. Contact your local city council if you need more information.

Overview

Functionality buttons	Use / ingredients	Recommended maximum dosage	Duration of programme
Drink	Cold drinks / cocktails	0,8 L	30 S
	Milk and dairy-based drinks	0,8 L	
	<p>Smoothie: First fill the blender jar with fresh fruit and fluids (including yoghurt, milk and juice). Then add ice or frozen ingredients (including frozen fruit, ice cubes or ice).</p>	1 L	
Crush ice	Use the PULSE function. It is normal that the speeds may vary a bit. Make a smoothie from frozen juice.	200 gram (10 ice cubes)	30 S
Rinse	Rinse the blender jar before cleaning it. You can get the best result by cleaning and drying the blender jar before attaching it to the base.	500 ml of hot water	20 S

WARRANTY AND SERVICE

There is a 2-year warranty period if your new product stops working due to manufacturing or material faults which begins from the documented date of purchase. The warranty covers materials and the cost of labour. When inquiring about service, please state the product name and serial number. You can find this information on the type plate. You can write down the information here in these instructions so that you have them at hand. This makes it easier for the service technician to find the correct spare parts.

The warranty does not cover:

- Faults and damage that are not due to manufacturing or material issues
- Damage caused by failure to properly maintain the device - including failing to clean it
- Fire and/or water damage or moisture damage on the product
- Damage caused during transport if the product was transported without proper packaging
- Damage caused by the use of unoriginal spare parts
- Damage resulting from failing to follow the instructions on how to use the device
- If the device has not been set up/assembled as specified in the instructions
- If non-professionals have installed or repaired the product
- Batteries or any other parts subject to normal wear and tear

Damage during transport

If the product is damaged during transport and this is discovered when the retailer delivers the product to the customer, this is exclusively a matter between the customer and the retailer. In cases where customers have handled the transport of the product themselves, the supplier shall not be liable for any potential damage during transport. Any damage caused during transport must be reported immediately and no later than 24 hours after the product has been delivered. If not, the customer's claim will be rejected.

Unnecessary service

If the product is sent in to be serviced and it turns out that the fault could have been fixed independently by following the product's instruction manual, the customer will need to pay the service fee.

Commercial purchases

Commercial purchases are all purchases of devices that are not intended to be used in private households but instead intended to be used for commercial purposes (in restaurants, cafés, canteens, etc.) or intended to be rented out or otherwise used by multiple users in turn.

There is no warranty offered for commercial purchases, as this product is only intended for regular household use.

Service

For service and spare parts in England and Ireland please call below-mentioned number and you will be directed accordingly or send us an email.

Witt UK & Ireland Ltd.

(44) 148 351 6633 / info@witt.dk

We accept no liability for printing errors.

The manufacturer/distributor cannot be held liable for damage to products or individuals if the safety instructions were not followed. The warranty shall not cover cases where the instructions have not been followed.