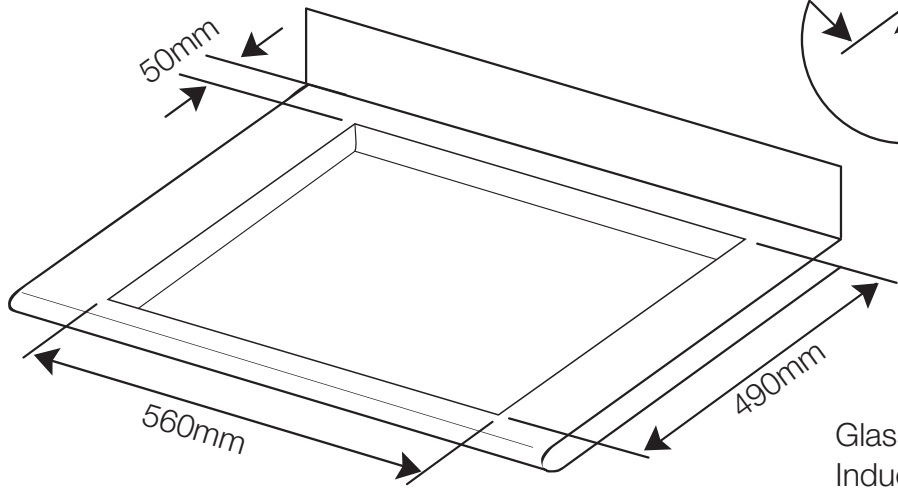
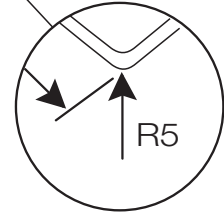
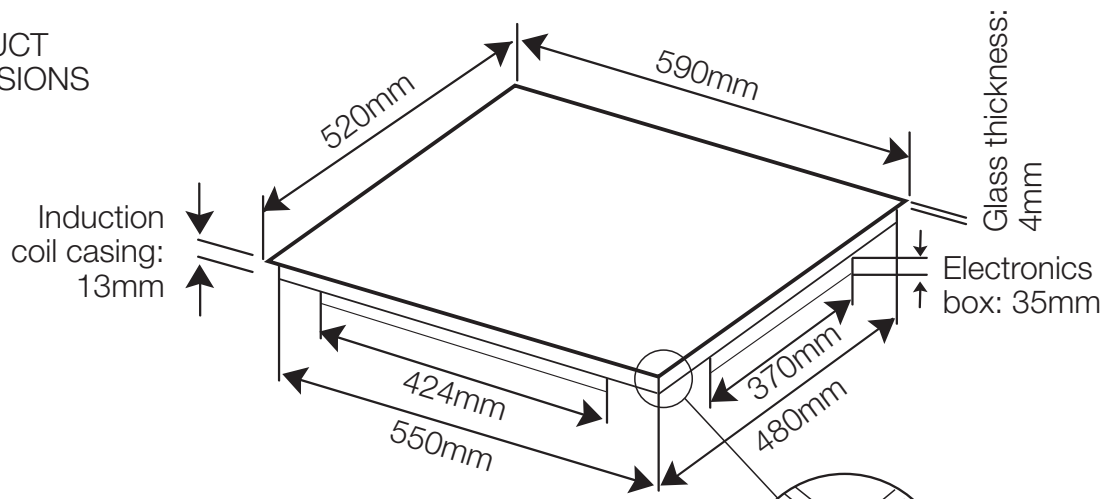


PRODUCT DIMENSIONS



- Glass thickness: 4mm
- Induction coil casing: 13mm
- Electronics box: 35mm
- Overall height: 52mm