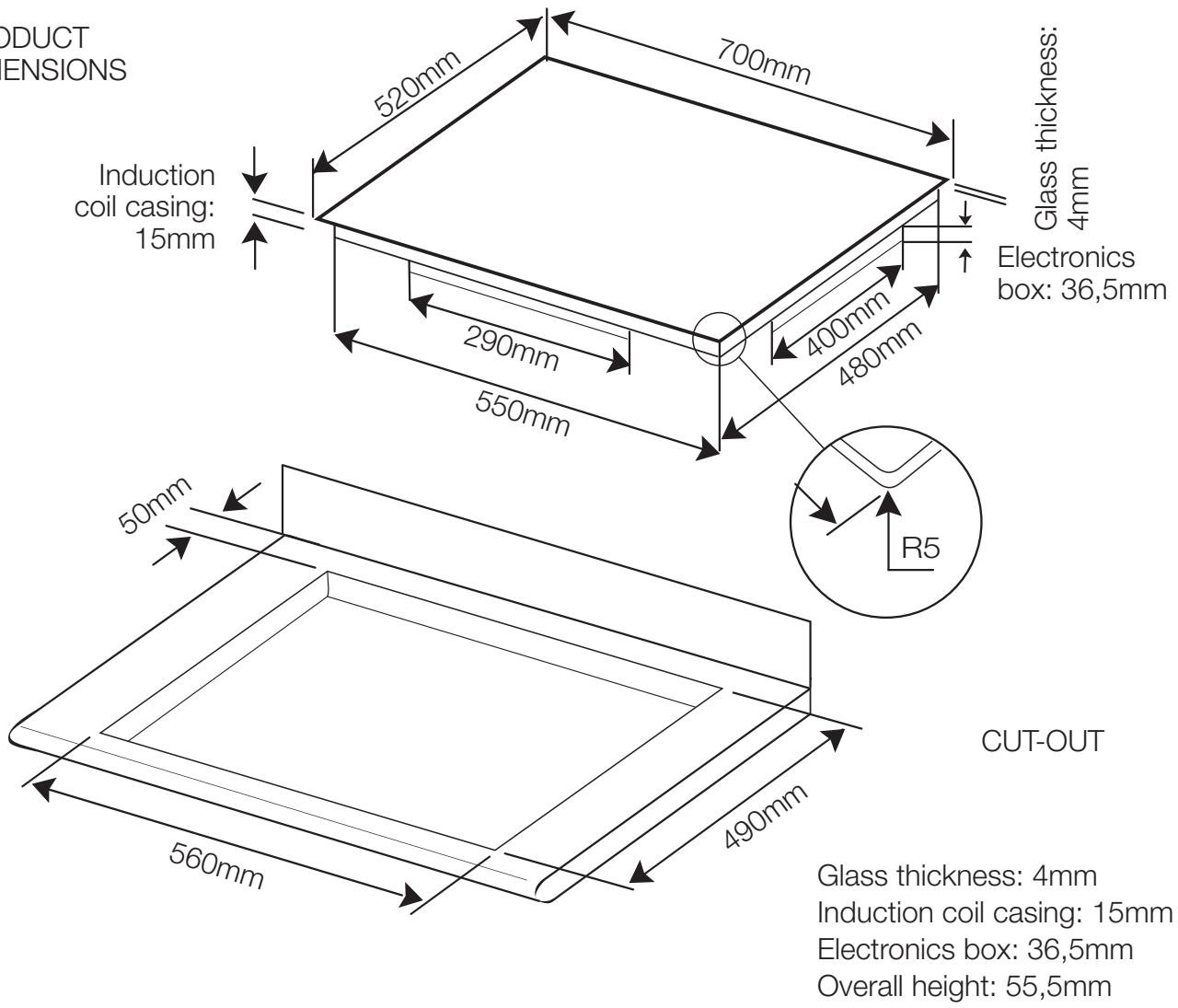


PRODUCT DIMENSIONS



CUT-OUT

Glass thickness: 4mm  
Induction coil casing: 15mm  
Electronics box: 36,5mm  
Overall height: 55,5mm